

Hydran C-19



Hydran C-25

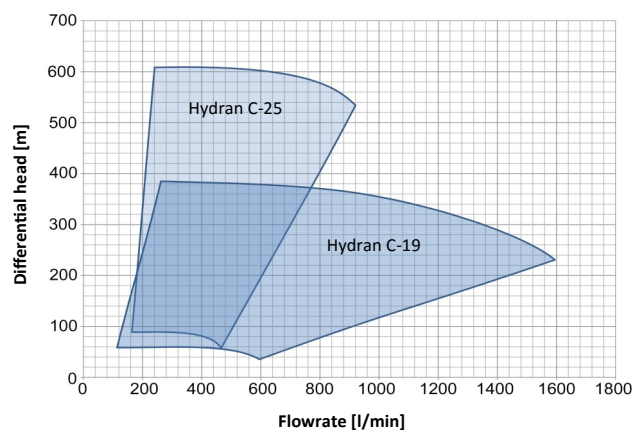


## Technical Data

Model	Hydran C-19 (C-19/G2-H)	Hydran C-25 (C-25/G2-H)
Application	truck / trailer off-loading	
Liquid	LIN / LOX / LAR / LNG	
Seal	GRS / GRD	
Cold end	C-19	C-25
Impeller diameter	190 mm	250 mm
Pump speed	up to 8000 rpm	up to 7500 rpm
Flowrate range	up to 1600 l/min	up to 900 l/min
Outlet pressure	up to 40 bar	
Power transmission	gearbox G2	
Drive	hydraulic system of the trailer (not included) up to 75 kW	

## Features

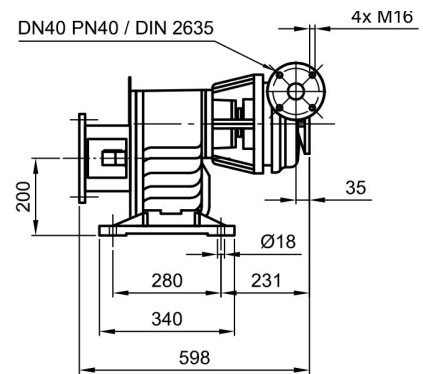
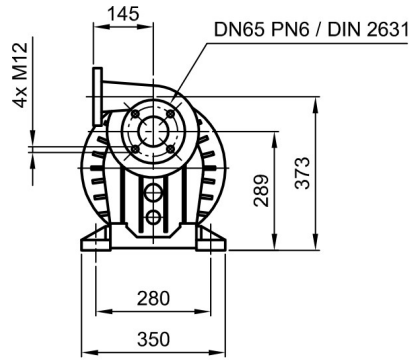
- ▶ Pumps designed for high pressure
- ▶ Diffuser technology for high efficiency and low bearing load
- ▶ Inducer technology for low NPSHr
- ▶ Fast cool down due to light weight cold end
- ▶ Gas riding seal for extended lifetime
- ▶ Connected to the hydraulic system of the trailer
- ▶ SEFCO developed gearbox G2
- ▶ Designed for intermittent and continuous operation
- ▶ LOX-approved materials, cleaning procedures and Assembly for all SEFCO pumps, irrespective of application



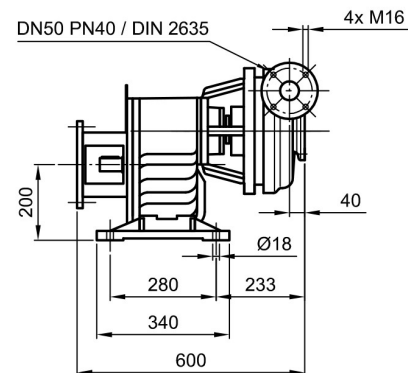
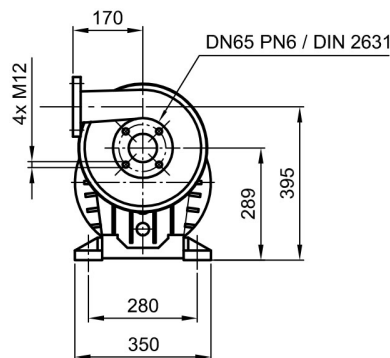
## General Arrangement

all dimensions in [mm]

### C-19/G2-H



### C-25/G2-H



## Scope of Supply

- ▶ Cold end type C-19 or C-25
- ▶ Inducer and vane ring for low NPSHr
- ▶ SEFCO mechanical sealings GRS/GRD
- ▶ SEFCO gearbox type G2-H
- ▶ Connection to existing hydraulic powertrain
- ▶ LIN performance test

## Options

- ▶ Dual PT100 for leakage detection
- ▶ Dual PT100 for cool down survey
- ▶ Nickel-coated cold end for special applications
- ▶ Recommended 2 years spare parts
- ▶ Hydraulic motor

# sefco

#### HEADQUARTERS

Wuhrmattstrasse 15  
4103 Bottmingen (Switzerland)  
Tel.: +41 61 421 94 60  
Fax: +41 61 421 57 75  
info@sefco.ch  
www.sefco.ch

#### WAREHOUSE AND FABRICATION

Sundgauerstrasse 1  
4106 Therwil (Switzerland)  
Tel.: +41 61 421 94 60  
Fax: +41 61 421 57 75  
info@sefco.ch  
www.sefco.ch

## Worldwide Representative Offices

#### CHINA

Torchlight Consulting LTD  
Unit 3A, 5/F, Far East Cons. BLDG  
121 Des Vœux Road  
Hong Kong (China)  
Tel.: +86 177 1752 1991  
torchconsult@outlook.com

Nanjing Kepurui  
Nanjing Yangtze River Ind. Dev. Zone  
148 Xinhua Road  
Nanjing (China)  
Tel.: +86 177 1752 1991  
torchconsult@outlook.com

#### USA

Texas Cryogenics  
13223 Reeveston Rd.  
TX 77039 Houston (USA)  
Tel.: +1 281 987 0127  
dfake@newquest.com

#### INDIA

Continental Cryogenics Pvt. Ltd.  
No. 155, Jigani Link Road  
560099 Bommasandra (India)  
Tel.: +91 80 2783 1975  
astlg1@conticryo.com

## Europe Service Centers

#### GERMANY

Wehn Fahrzeugtechnik GmbH  
Oberhausenerstrasse 5  
57234 Wilnsdorf (Germany)  
Tel.: +49 2737 3013 0  
info@fahrzeugtechnik.de

#### AUSTRIA

Schwingenschlögel GmbH  
Gewerbestrasse 12  
5301 Eugendorf (Austria)  
Tel.: +43 6225 83 44 0  
office@schwingenschloegel.at

#### BENELUX

Eurotank GmbH  
Wöhrmannstrasse 5  
47546 Kalkar (Germany)  
Tel.: +49 2824 9718 0  
eurotank@eurotank.de

#### NETHERLANDS

Schenk Papendrecht B.V.  
Postbus 1165  
3350 Papendrecht (Netherlands)  
Tel.: +31 78 644 2150  
info@schenkbv.nl

#### SCANDINAVIA

Cryo Service Center  
Knippekulen 3A  
41749 Göteborg (Sweden)  
Tel.: +46 31 124 940  
order@cryosc.se

#### POLEN

Nexter Color System SP zoo  
Tadeusza Kosciuski 61  
43190 Mikolow (Poland)  
Tel.: +48 32 203 06 65  
biuro@nexter.com.pol

#### ITALY

Technoimpianti APM S.r.l.  
Via Lombardia 2  
24030 Medolago (Italy)  
Tel.: +39 035 4948 222  
info@tiapm.it

#### IBERIA

Cryogas s.l.  
Xarol 34 B  
08915 Badalona (Spain)  
Tel.: +37 933 847 116  
cryo@cryogas.es